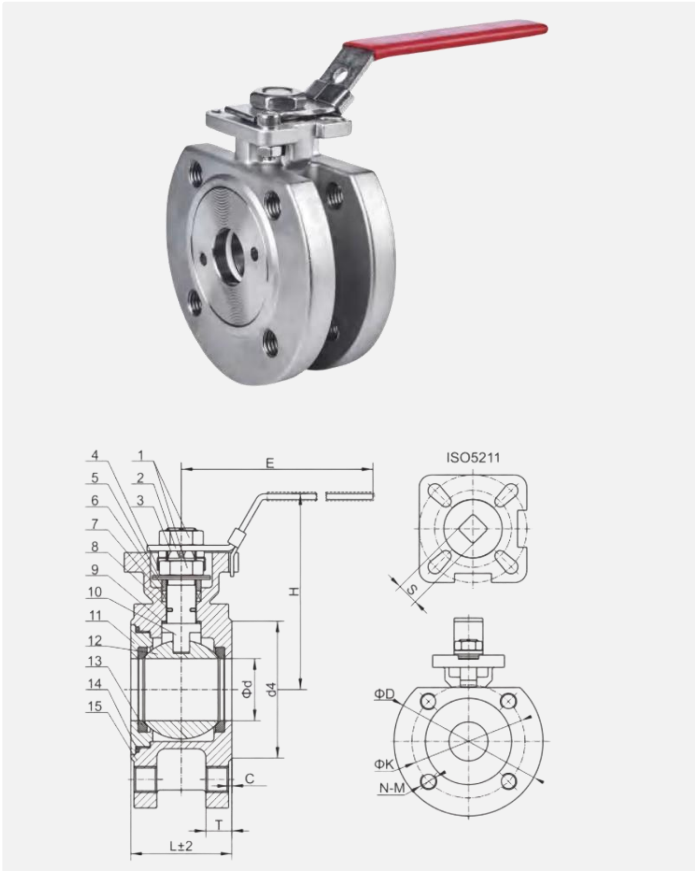


WAFER TYPE BALL VALVE

CWFBB16



Part number	Part name	Material
1	Nut	304
2	Handle	201 + PVC
3	Washer	304
4	Disc Spring	304
5	Anti-Loosening Bonnet	304
6	Gland	304
7	Packing	PTFE
8	O-Ring	FKM
9	Thrust Gasket	PTFE
10	Stem	316
11	Bonnet	CF8M
12	Ball	316
13	Seat	PTFE/R-PTFE
14	Gasket	PTFE
15	Body	CF8M

TECHNICAL REQUIREMENTS

Design & manufacture conform to DIN3357
 Test & Inspect conform to EN12266
 Face to Face dimension conforms to enterprise standard
 Flange dimension conforms to DIN2543
 The platform size conforms to ISO5211

TECHNICAL PARAMETERS

Test Pressure PN16
 Shell 2.4 MPa
 High-Pressure Closure 1.8 MPa
 Low-Pressure Closure 0.4~0.7 MPa

Applicable Temperature -29~120°C
 Applicable medium: water, oil, gas

SIZE	d	d4	K	D	C	T	N-M	H	E	L	ISO5211	S
DN15	15	48	65	95	2	14	4-M12	70	125	42	F03	F04
DN20	20	58	75	105	2	16	4-M12	75	125	44	F03	F04
DN25	25	68	85	115	2	16	4-M12	95	155	50	F04	F05
DN32	32	78	100	140	2	16	4-M16	100	155	60	F04	F05
DN40	36	88	110	150	3	16	4-M16	120	185	65	F05	F07
DN50	46	102	125	165	3	18	4-M16	125	185	80	F05	F07
DN65	57	122	145	185	3	18	4-M16	140	260	110	F07	F10
DN80	73	138	160	200	3	20	8-M16	155	260	120	F07	F10
DN100	90	158	180	220	3	20	8-M16	165	300	150	F07	F10